

A2

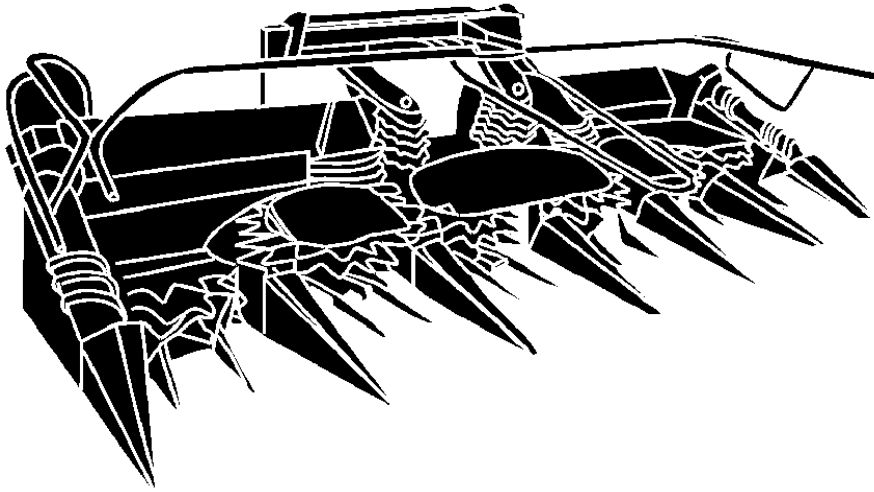
686 ROTARY HARVESTING UNIT (103954-) NORTH AMERICAN EDITION

PRIMARY PICTORIAL INDEX

ZX036494 -UN-06APR05

100 - A10
100 - A11
100 - A12
100 - A13

100



ZX036494

A3

686 ROTARY HARVESTING UNIT (103954-) NORTH AMERICAN EDITION

CODES USED IN "REMARKS" COLUMN

FX100031 -UN-01JAN94

	English	Français	Deutsch
APPL	This application only	Uniquement pour cette utilisation	Nur für diese Anwendung
AR	As required	Suivant besoin	Nach Bedarf
ASSY	Complete assembly	Ensemble complet	Kompl. Zusammenbau
FOR	Use with	Pour	Für
FRONT	Front	Avant	Vorn
ID	Inside diameter	Diamètre intérieur	Innendurchmesser
INCL KEYS	Including keys	Comprend les repères	Einschließlich Teile
KIT	Kit	Jeu de réparation	Reparatursatz
L	Number of links	Nombre de maillons	Zahl der Glieder
LGTH	Length	Longueur	Länge
LH	Left-hand	Gauche	Links
LOW	Lower	Inférieur	Unten
MARKED	Marked	Marqué	Markiert
MF	Make from	Réaliser avec	Herstellen von
NA	Not applicable	Non utilisé	Nicht zutreffend
NSEP	Not supplied separately	Non livré séparément	Einzel nicht lieferbar
OD	Outside diameter	Diamètre extérieur	Außendurchmesser
OR	Or	Ou	Oder
ORD	Order	Commander	Bestelle
ORD W/	Also order	Commander avec	Bestelle mit
PACKG	Packet of	Par paquet de	Verpackt zu
RATIO	Ratio	Rapport de transmission	Übersetzungsverhältnis
REAR	Rear	Arrière	Hinten
RH	Right-hand	Droit	Rechts
SUB	Replaced by	Remplacé par	Ersetzt durch
SUB FOR	Substitutes for	Remplace	Ersatz für
TK	Thickness	Epaisseur	Stärke
UP	Upper	Supérieur	Oben
W/O	Without	Sans	Ohne
Z	Gear and sprocket teeth number	Nombre de dents des pignons	Zähnezahl für Ketten- und Zahnrad

FX100031

A4

686 ROTARY HARVESTING UNIT (103954-) NORTH AMERICAN EDITION

SERIAL NUMBER

THE SERIAL NUMBER IS LOCATED ON A PLATE AT THE LEFT-HAND SIDE OF THE FRAME. EXAMPLES OF THIS PLATE IS:

KM0686A012345
KM0686B012345

KM - MANUFACTURING UNIT
686 - MODEL IDENTIFIER
A / B - CONFIGURATION CODE/MODEL IDENTIFIER SUFFIX
 A = FOR 5000 SERIES SPFH
 B = FOR 6000 / 7000 SERIES SPFH
012345 - SEQUENTIAL NUMBER USED IN SERIAL NO. COLUMN

A5

686 ROTARY HARVESTING UNIT (103954-) NORTH AMERICAN EDITION

PARTS NUMBER LISTING INFORMATION

SERIAL NUMBER INFORMATION IS LISTED TO SHOW ON WHICH MACHINES EACH PART CAN BE USED.
FOR EXAMPLE:

- THE PART CAN BE USED ON ALL MACHINES.
- 000000 THE PART CAN BE USED ON ALL MACHINES UP TO AND INCLUDING THE SERIAL NUMBER LISTED
- 000000- THE PART CAN BE USED ON ALL MACHINES BEGINNING WITH THE SERIAL NUMBER LISTED.
- 000000-000000 THE PART CAN BE USED ON ALL MACHINES BETWEEN AND INCLUDING THE SERIAL NUMBERS LISTED.

WHEN XXXXXX'S ARE LISTED IN PLACE OF SERIAL NUMBERS, A SERIAL NUMBER CHANGE WAS MADE BUT THE EXACT SERIAL NUMBER WAS NOT AVAILABLE WHEN THE CATALOG WAS PRODUCED.

DIRECTION ARROW

ARROWS ARE USED WITH ILLUSTRATIONS TO INDICATE THE FRONT OF THE UNIT. "RIGHT-HAND" AND "LEFT-HAND" SIDES ARE DETERMINED BY FACING IN THE DIRECTION OF MACHINE FORWARD TRAVEL.

BOX-ENCLOSED ILLUSTRATIONS

A KEY NUMBER, SHOWN IN THE PARTS LIST, IS ASSIGNED TO A BOX ENCLOSING ALL PARTS SOLD AS A SERVICE ASSEMBLY. A BOX NOT KEYED INCLUDES NON-CURRENT PARTS.

CHANGE INDICATOR LINE

(MICROFICHE PARTS CATALOGS ONLY)

CHANGES AFFECTING THE ORDERING OF PARTS ARE IDENTIFIED BY VERTICAL LINES MARKED IN THE LEFT-HAND MARGIN OF REVISED PARTS LISTING IMAGES. A LINE IS ALSO AT THE LEFT-HAND EDGE OF THE SAME PART NUMBER IN THE NUMERICAL INDEX TO SHOW THE LOCATION OF REVISED INFORMATION.

FUNCTION CODE

FUNKTION CODES ARE LOCATED ON EACH PAGE IN THE UPPER RIGHT-HAN D CORNER ON THE TITLE LINE. THE CODE LISTED IS GROUPING CODE THAT CAN BE UESD FOR WARRANTIES AND FOR 'DTAC' TO IDENTIFY CERTAIN AREAS.

(EXAMPLE-FC: M790)

**Thanks very much for your reading,
Want to get more information,
Please click here, Then get the complete
manual**

JustClickHere 

NOTE:

**If there is no response to click on the link above,
please download the PDF document first, and then
click on it.**

**Have any questions please write to me:
admin@servicemanualperfect.com**

A6

686 ROTARY HARVESTING UNIT (103954-) NORTH AMERICAN EDITION

ALPHABETICAL INDEX

GRID		PAGE	GRID		PAGE
A					
D11	ANGLE DRIVE	100 - 74	C13	FRICITION CLUTCH	100 - 52
D11	ANGLE DRIVE FOR CROSS FEED DRUM	100 - 74	C13	FRICITION CLUTCH M=900NM WATERCOOLED	100 - 52
D9	ANGLE DRIVE FOR CROSS FEED DRUM (PART II)	100 - 72	C12	FRICITION CLUTCH, M= 700NM	100 - 51
D7	ANGLE DRIVE FOR CROSS FEED DRUM (PART I)	100 - 70	C12	FRICITION CLUTCH, M= 900NM	100 - 51
D13	ANGLE DRIVE L.H.	100 - 76	C12	FRICITION CLUTCH, N = 700NM AND M=900NM	100 - 51
D1	ANGLE DRIVE NO. 1 - 6 (PART II)	100 - 64	G		
D3	ANGLE DRIVE NO. 1 - 6 (PART III)	100 - 66	C23	GEAR, ANGLE DRIVE NO 1-6 (PART I)	100 - 62
B					
C15	BASE FRAME - TRANSMISSION	100 - 54	D12	GEAR, ANGLE DRIVE L.H.	100 - 75
C					
B16	CENTER COVER	100 - 30	D1	GEAR, ANGLE DRIVE NO. 1 - 6 (PART II)	100 - 64
C13	CLUTCH, FRICTION	100 - 52	D3	GEAR, ANGLE DRIVE NO. 1 - 6 (PART III)	100 - 66
C12	CLUTCH, FRICTION, M= 700NM	100 - 51	D5	GEAR, ANGLE DRIVE NO. 1 - 6 (PART IV)	100 - 68
C12	CLUTCH, FRICTION, M= 900NM	100 - 51	D15	GEAR, ANGLE DRIVE R.H.	100 - 78
C19	CLUTCH, MAIN DRIVE	100 - 58	E3	GPS - EQUIPMENT	100 - 90
C21	CLUTCH, MAIN DRIVE	100 - 60	A24	GUARDS FOR MAIN TRANSMISSION FOR 7000 SERIES SPFH - BASE FRAME	100 - 12
B16	COVER	100 - 30	H		
B18	COVER FOR GATHERER DRUMS / INNER GATHERER POINTS	100 - 32	C7	HYDRAULIC LIFT COMPONENTS	100 - 46
B22	CROSS FEED DRUM AND OUTER COVER	100 - 36	C7	HYDRAULIC, LIFT COMPONENTS	100 - 46
B22	CROSS, FEED DRUM	100 - 36	I		
D					
E1	DECALS	100 - 88	B18	INNER GATHERER POINTS	100 - 32
B12	DIVIDER POINTS - SKIDS	100 - 26	K		
C3	DIVIDERS	100 - 42	B6	KNIFE ROTORS	100 - 20
C5	DIVIDERS	100 - 44	B8	KNIFE ROTORS - SERVICE KIT	100 - 22
C10	DOUBLE JOINT	100 - 49	L		
C11	DOUBLE JOINT	100 - 50	C3	LIFTERS, STALK	100 - 42
C9	DOUBLE JOINT (W2400-245)	100 - 48	D21	LINKAGE FOR TRANSMISSION	100 - 84
A16	DRIVE CHAINS, L.H.	100 - 4	M		
A18	DRIVE CHAINS, L.H.	100 - 6	C19	MAIN DRIVE CLUTCH	100 - 58
A16	DRIVE CHAINS, LH	100 - 4	C21	MAIN DRIVE CLUTCH, THROUGH DRIVE	100 - 60
A18	DRIVE CHAINS, LH	100 - 6	A14	MOUNTING FRAME	100 - 2
D12	DRIVE L.H.	100 - 75	A20	MOUNTING FRAME	100 - 8
D13	DRIVE L.H.	100 - 76	A22	MOUNTING FRAME	100 - 10
D15	DRIVE R.H.	100 - 78	P		
D7	DRIVE, ANGLE (PART I)	100 - 70	D23	PARTS - TRANSMISSION	100 - 86
D9	DRIVE, ANGLE (PART II)	100 - 72	B1	PIVOT FRAME JD6 FIELD INSTALLATION BUNDLE PART 1	100 - 14
D5	DRIVE, ANGLE NO. 1 - 6 (PART IV)	100 - 68	B3	PIVOT FRAME JD6 FIELD INSTALLATION BUNDLE PART 2	100 - 16
C23	DRIVE, ANGLE, NO 1-6 (PART I)	100 - 62	B18	POINTS FOR INNER GATHERER	100 - 32
D3	DRIVE, ANGLE, NO. 1 - 6 (PART III)	100 - 66	R		
C19	DRIVE, MAIN CLUTCH	100 - 58	B10	RATCHET	100 - 24
C17	DRIVE, THROUGH	100 - 56	B5	REINFORCEMENT PLATE - ADAPTER FRAME	100 - 18
B20	DRUM, FEED	100 - 34	B6	ROTORS, KNIFE	100 - 20
B8	DRUMS, GATHERER	100 - 22	F		
F					
C1	FEED BAR	100 - 40	R		
B20	FEED DRUM	100 - 34	R		
B1	FIELD INSTALLATION BUNDLE PART 1, PIVOT RAME JD6	100 - 14	R		
B3	FIELD INSTALLATION BUNDLE PART 2, PIVOT FRAME JD6	100 - 16	R		

A7

686 ROTARY HARVESTING UNIT (103954-) NORTH AMERICAN EDITION

ALPHABETICAL INDEX - CONTINUED

<i>GRID</i>		<i>PAGE</i>	<i>GRID</i>	<i>PAGE</i>
B8	ROTORS, KNIFE	100 - 22		
B24	ROW-TRACK WIRING HARNESS AND SENSORS	100 - 38		
B24	ROW-TRAK WIRING HARNESS AND SENSORS.....	100 - 38		
 S				
B14	SCRAPER - SUPPORT	100 - 28		
B14	SCRAPER, SCRAPER.....	100 - 28		
B24	SENSORS FOR ROW-TRACK	100 - 38		
B12	SKIDS, DIVIDER POINTS	100 - 26		
D21	SMALL PARTS FOR TRANSMISSION.....	100 - 84		
E3	SPECIAL EQUIPMENT	100 - 90		
D23	SPECIAL EQUIPMENT - TRANSMISSION.....	100 - 86		
D12	SPUR GEAR ANGLE DRIVE L.H.	100 - 75		
D13	SPUR GEAR ANGLE DRIVE L.H.	100 - 76		
C23	SPUR GEAR ANGLE DRIVE NO 1-6 (PART I)	100 - 62		
D1	SPUR GEAR ANGLE DRIVE NO. 1 - 6 (PART II)	100 - 64		
D3	SPUR GEAR ANGLE DRIVE NO. 1 - 6 (PART III).....	100 - 66		
D5	SPUR GEAR ANGLE DRIVE NO. 1 - 6 (PART IV).....	100 - 68		
D1	SPUR GEAR ANGLE DRIVE NO. 1 - 6 (PART II)	100 - 64		
D5	SPUR GEAR ANGLE DRIVE NO. 1 - 6 (PART IV)	100 - 68		
D15	SPUR GEAR ANGLE DRIVE R.H.	100 - 78		
D17	SPUR GEAR TRANSMISSION	100 - 80		
D19	SPUR GEAR TRANSMISSION	100 - 82		
A22	SPUR GEAR TRANSMISSION AND SHIFTER TRANSMISSION WITH JOINTED SHAFTS	100 - 10		
C3	STALK LIFTERS - DIVIDERS	100 - 42		
C5	STALK LIFTERS - DIVIDERS	100 - 44		
 T				
C17	THROUGH DRIVE	100 - 56		
C17	THROUGH DRIVE - MAIN DRIVE CLUTCH	100 - 56		
C21	THROUGH DRIVE - MAIN DRIVE CLUTCH - WATERCOOLED	100 - 60		
E5	TORQUE TESTING DEVICE FOR FRICTION CLUTCHES	100 - 92		
D21	TRANSMISSION (LINKAGE, SMALL PARTS) SPECIAL EQUIPMENT	100 - 84		
D21	TRANSMISSION (LINKAGE, SMALL PARTS) - - SPECIAL EQUIPMENT.....	100 - 84		
D21	TRANSMISSION (SMALL PARTS)	100 - 84		
D21	TRANSMISSION - SPECIAL EQUIPMENT.....	100 - 84		
D23	TRANSMISSION - SPECIAL EQUIPMENT.....	100 - 86		
D23	TRANSMISSION PARTS - SPECIAL EQUIPMENT	100 - 86		
A24	TRANSMISSION, BASE FRAME.....	100 - 12		
C15	TRANSMISSION, BASE FRAME.....	100 - 54		
D19	TRANSMISSION, SPUR GEAR.....	100 - 82		

FC:

GENERAL INFORMATION

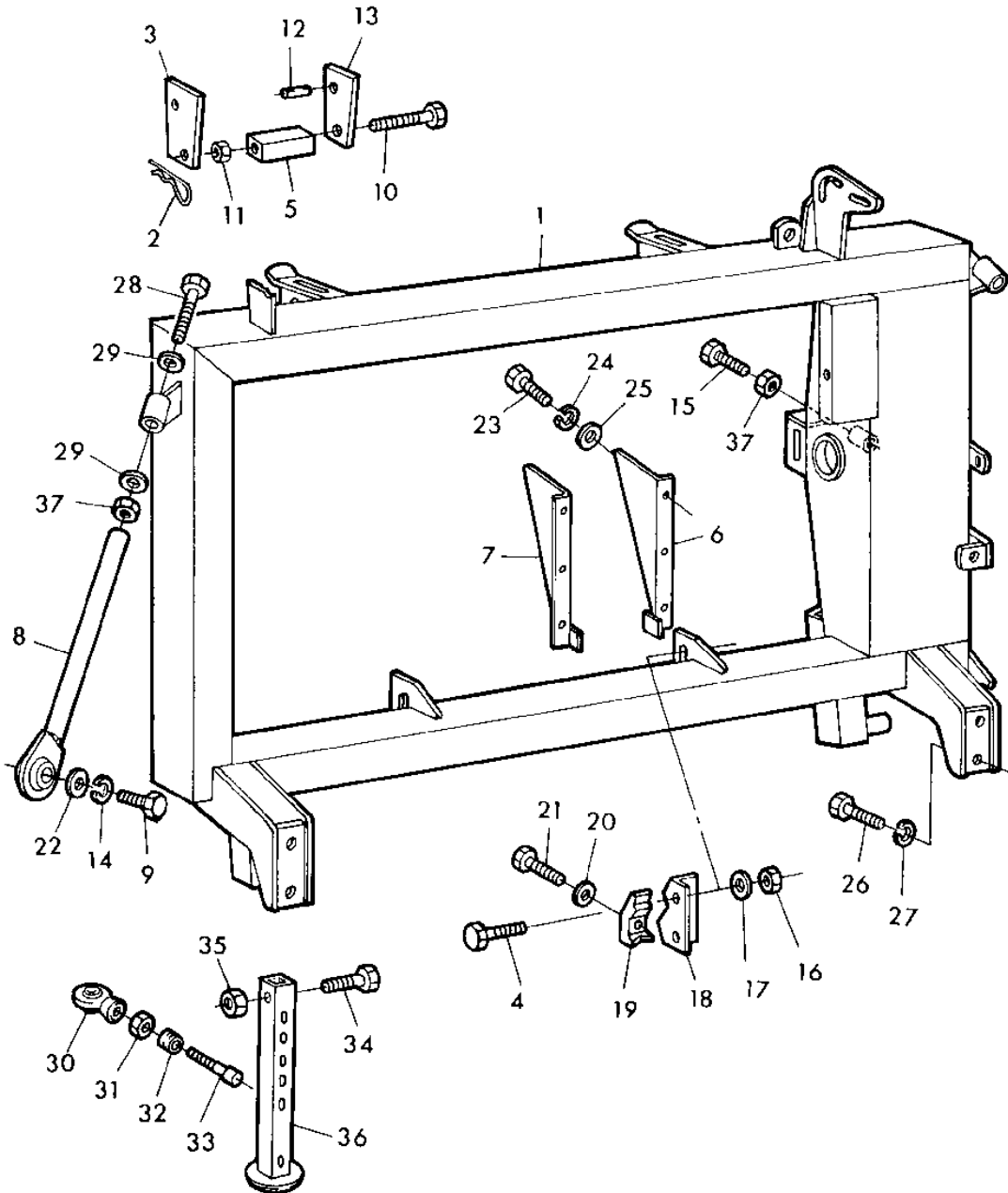
MEMORANDA

A14

FC: 7145

ROTARY HARVESTING UNIT

MOUNTING FRAME
ZX020224 -UN-10MAR00



ZX020224

A15

FC: 7145

ROTARY HARVESTING UNIT

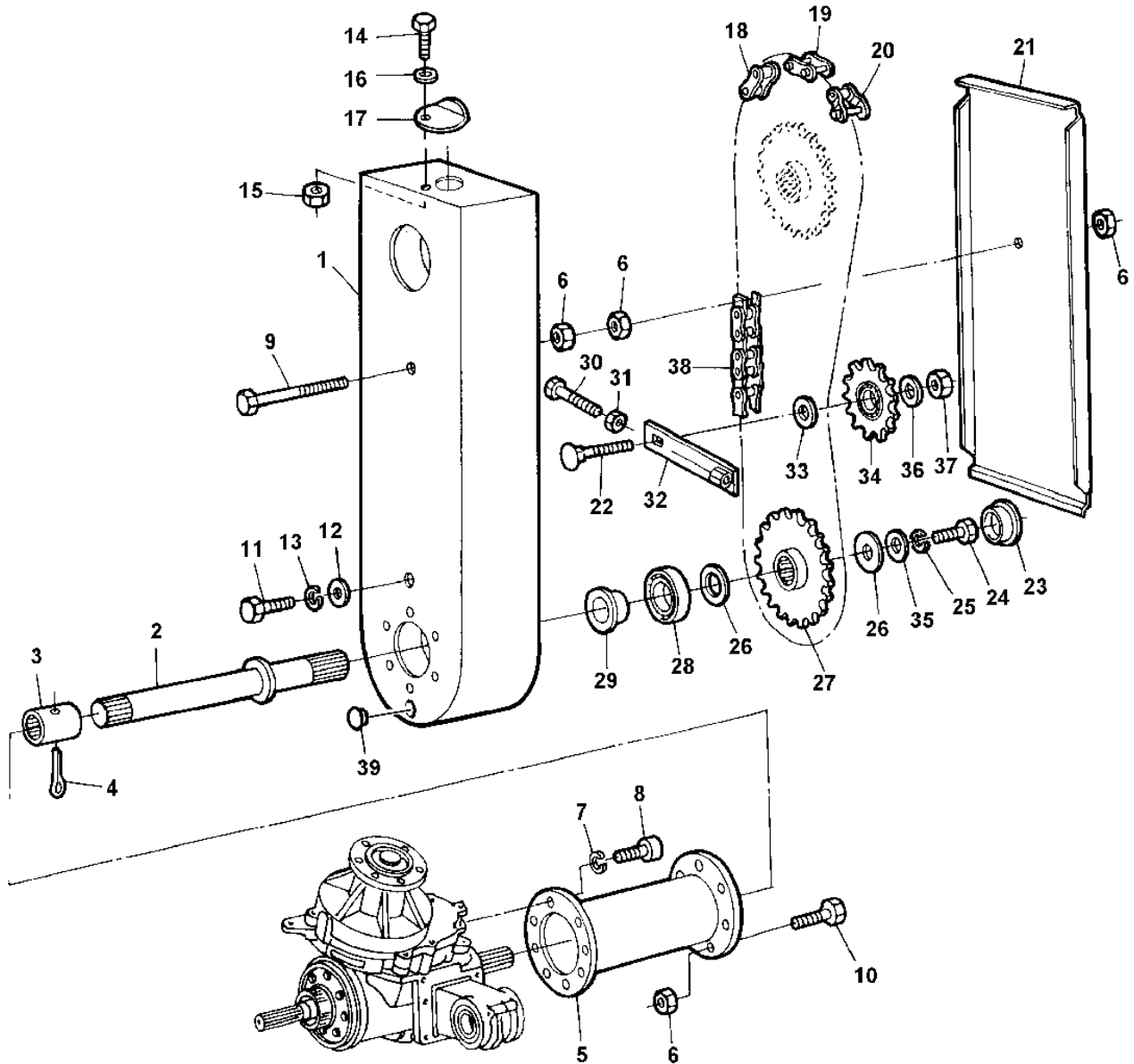
KEY	PART NO.	PART NAME	QTY	SERIAL NO.	6 6 8 8 6 6		REMARKS
					A	B	
1	LCA77120	FRAME	1		X		
2	A15146	PIN	2		X		
3	LCA56605	WEDGE	2		X		
4	19M7493	CAP SCREW	4		X		M12 X 40
5	LCA56731	SPACER	2		X		
6	LCA77118	DEFLECTOR	1		X		LH
7	LCA77119	DEFLECTOR	1		X		RH
8	LCA74875	BRACE	2		X		
9	19M8011	CAP SCREW	2		X		M12 X 30
10	19M7875	CAP SCREW	2		X		M10 X 70
11	14M7167	LOCK NUT	2		X		M10
12	34M7124	SPRING PIN	2		X		8 X 30 MM
13	LCA53274	WEDGE	2		X		
14	12M7014	LOCK WASHER	2		X		12 MM
15	19M8224	CAP SCREW	1		X		M20 X 60
16	14M7168	LOCK NUT	4		X		M12
17	24M7107	WASHER	4		X		14 X 28 X 3 MM
18	LCA56100	CLAMP	2		X		
19	LCA56101	CLAMP	2		X		
20	LCA67045	DISK SPRING	2		X		
21	19M7361	CAP SCREW	2		X		M12 X 50
22	H33456	WASHER	2		X		
23	19M7402	CAP SCREW	6		X		M10 X 25
24	12M7013	LOCK WASHER	6		X		10.200 MM
25	24M7178	WASHER	6		X		10.500 X 30 X 2.500 MM
26	19M7608	CAP SCREW	4		X		M16 X 30
27	12M7017	LOCK WASHER	4		X		16.200 MM
28	LCA74876	BOLT	2		X		
29	12M7096	LOCK WASHER	4		X		20.500 MM
30	LCA53566	NUT	2		X		
31	LCA66022	NUT	2		X		
32	LCA04087	SPRING	2		X		
33	19M8954	SCREW	2		X		M10 X 60
34	19M7923	CAP SCREW	2		X		M6 X 12
35	14M7165	LOCK NUT	2		X		M6
36	LCA72673	STAND-OFF	2		X		
37	14M7144	NUT	5		X		M20

A16

FC: 7145

ROTARY HARVESTING UNIT

DRIVE CHAINS, L.H.
ZX035513 -UN-13SEP04



ZX035513

A17

FC: 7145

ROTARY HARVESTING UNIT

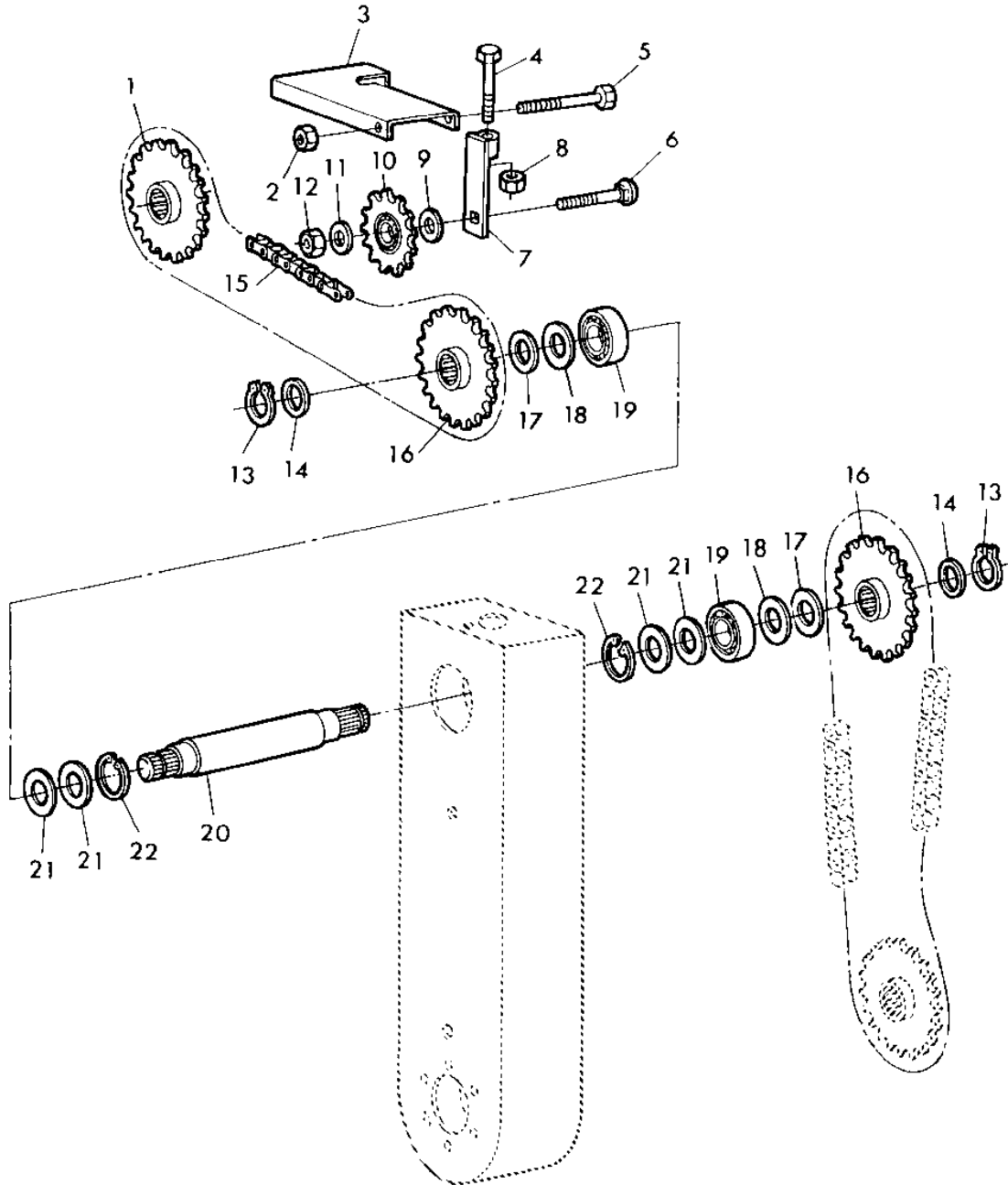
KEY	PART NO.	PART NAME	QTY	SERIAL NO.	6 6		REMARKS
					A	B	
1	LCA77088	CASE	1		X		
2	LCA67781	SHAFT	1		X		
3	LCA62698	BUSHING	1		X		
4	34M7049	SPRING PIN	1		X		8 X 50
5	LCA67761	PIPE	1		X		
6	14M7167	LOCK NUT	8		X		M10
7	12M7061	LOCK WASHER	8		X		10.500 MM
8	19M8533	SCREW	8		X		M10 X 25
9	LCA63791	CAP SCREW	1		X		
10	19M7183	CAP SCREW	8		X		M10 X 40
11	19M7938	CAP SCREW	1		X		M10 X 20
12	24M7028	WASHER	1		X		10.500 X 20 X 2 MM
13	12M7013	LOCK WASHER	6		X		10.200 MM
14	19M8425	CAP SCREW	2		X		M6 X 16
15	14M7165	LOCK NUT	1		X		M6
16	12M7116	LOCK WASHER	1		X		6.400 X 12 X 0.500 MM
17	LCA63279	COVER	1		X		
18	LCA12996	CHAIN LINK	AR		X		
19	LCA12997	ROLLER CHAIN	AR		X		
20	LCA12999	ROLLER CHAIN	AR		X		
21	LCA77089	COVER	1		X		
22	03M7212	BOLT	2		X		M16 X 80
23	LCA37562	PLUG	1		X		
24	19M7488	CAP SCREW	1		X		M16 X 40
25	12M7017	LOCK WASHER	1		X		16.200 MM
26	N231079	WASHER	2		X		
27	LCA65888	CHAIN SPROCKET	2		X		
28	CH17453	BALL BEARING	1		X		
29	LCA67318	BUSHING	1		X		
30	19M8079	CAP SCREW	2		X		M12 X 80
31	14M7168	LOCK NUT	2		X		M12
32	LCA77095	TIGHTENER	2		X		
33	LCA67638	BUSHING	2		X		
34	LCA56872	TIGHTENER	2		X		
35	24M7439	WASHER	1		X		17 X 40 X 6 MM
36	24M7053	WASHER	2		X		17 X 30 X 3 MM
37	14M7170	LOCK NUT	2		X		M16
38	LCA77097	ROLLER CHAIN	1		X		
39	L39036	PLUG	1		X		

A18

FC: 7145

ROTARY HARVESTING UNIT

DRIVE CHAINS, L.H.
ZX020336 -UN-06MAR00



ZX020336

A19

FC: 7145

ROTARY HARVESTING UNIT

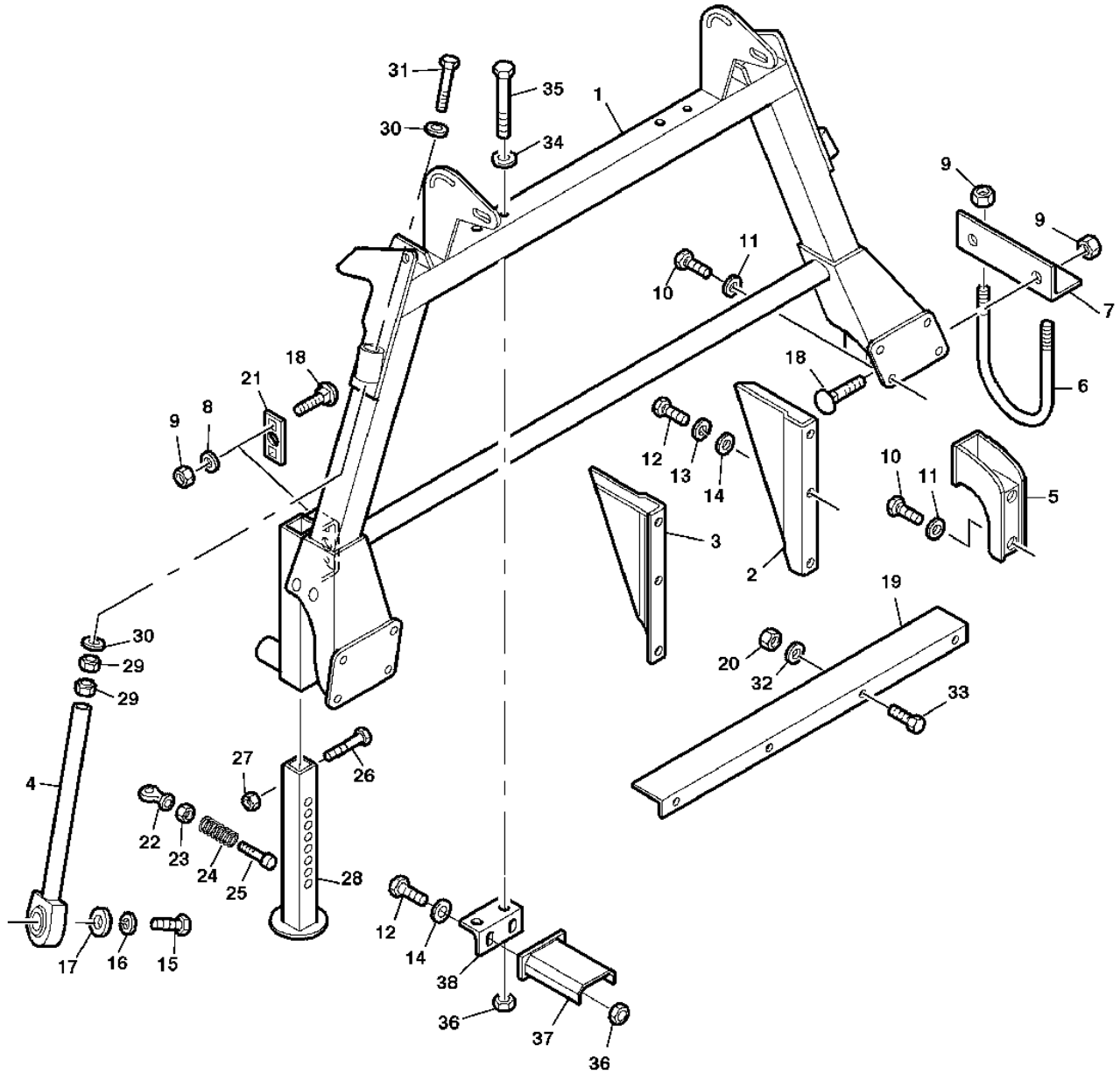
KEY	PART NO.	PART NAME	QTY	SERIAL NO.	6	6	REMARKS
					8	8	
					6	6	
					A	B	
1	LCA65888	CHAIN SPROCKET	2		X		
2	14M7166	LOCK NUT	1		X		M8
3	LCA77074	GUARD	1		X		
4	19M8079	CAP SCREW	2		X		M12 X 80
5	19M7691	CAP SCREW	1		X		M8 X 90
6	03M7212	BOLT	2		X		M16 X 80
7	LCA77095	TIGHTENER	2		X		
8	14M7168	LOCK NUT	2		X		M12
9	LCA67638	BUSHING	2		X		
10	LCA56872	TIGHTENER	2		X		
11	24M7053	WASHER	2		X		17 X 30 X 3 MM
12	14M7170	LOCK NUT	2		X		M16
13	40M7046	SNAP RING	2		X		
14	24M7317	WASHER	AR		X		35 X 45 X 1 MM
15	LCA77096	ROLLER CHAIN	1		X		
16	LCA77100	CHAIN SPROCKET	2		X		
17	24M6560	WASHER	2		X		35 X 45 X 2.500 MM
18	24M7300	WASHER	2		X		40 X 50 X 2.500 MM
19	CH11557	BALL BEARING	2		X		
20	LCA77098	SHAFT	1		X		
21	24M7174	WASHER	2		X		70 X 90 X 3.500 MM
22	40M7060	SNAP RING	2		X		

A20

FC: 7145

ROTARY HARVESTING UNIT

MOUNTING FRAME
ZX035514 -UN-16SEP04



ZX035514

A21

FC: 7145

ROTARY HARVESTING UNIT

KEY	PART NO.	PART NAME	QTY	SERIAL NO. OR YEAR	6 6 8 8 6 6 A B		REMARKS
					A	B	
1	LCA84366	FRAME	1			X	
2	LCA84111	DEFLECTOR	1			X	LH
3	LCA84112	DEFLECTOR	1			X	RH
4	LCA74875	BRACE	2			X	
5	LCA74710	BRACE	2			X	
6	LCA66398	U-BOLT	2			X	
7	LCA70494	ANGLE	1			X	
8	24M7047	WASHER	4			X	13 X 24 X 2.500 MM
9	14M7168	LOCK NUT	4			X	M12
10	19M7608	CAP SCREW	12			X	M16 X 30
11	12M7017	LOCK WASHER	12			X	16.200 MM
12	19M7402	CAP SCREW	AR			X	M10 X 25
13	12M7013	LOCK WASHER	6			X	10.200 MM
14	24M7178	WASHER	AR			X	10.500 X 30 X 2.500 MM
15	19M8011	CAP SCREW	2			X	M12 X 30
16	12M7014	LOCK WASHER	2			X	12 MM
17	H33456	WASHER	2			X	
18	03M7083	BOLT	6			X	M12 X 35
19	LCA74008	ANGLE	1			X	
20	14M7166	LOCK NUT	4			X	M8
21	LCA65088	STRAP	2			X	
22	LCA53566	NUT	2			X	
23	LCA66022	NUT	2			X	
24	LCA04087	SPRING	2			X	
25	19M8954	SCREW	2			X	M10 X 60
26	19M7923	CAP SCREW	2			X	M6 X 12
27	14M7165	LOCK NUT	2			X	M6
28	LCA72673	STAND-OFF	2			X	
29	14M7144	NUT	4			X	M20
30	12M7096	LOCK WASHER	4			X	20.500 MM
31	LCA74876	BOLT	2			X	
32	24M7179	WASHER	8			X	8.400 X 24 X 2 MM
33	19M7139	CAP SCREW	4			X	M8 X 20
	LCA84698	SCREW	4			X	(A)
34	24M7028	WASHER	4			X	10.500 X 20 X 2 MM
	24M7178	WASHER	6			X	10.500 X 30 X 2.500 MM
35	19M7638	CAP SCREW	4			X	M10 X 130
36	14M7167	LOCK NUT	8			X	M10
37	LCA84361	RETAINER	1			X	LH
	LCA84362	RETAINER	1			X	RH
38	LCA84363	ANGLE	1			X	LH
	LCA84364	ANGLE	1			X	RH

(A) FOR MECH. TRANSMISSION